


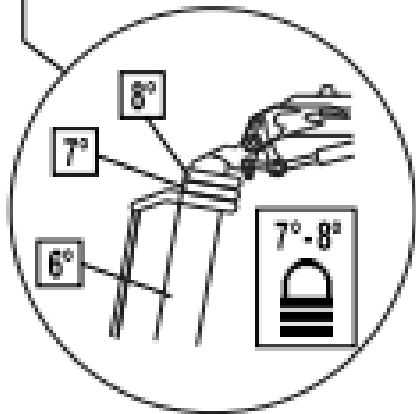
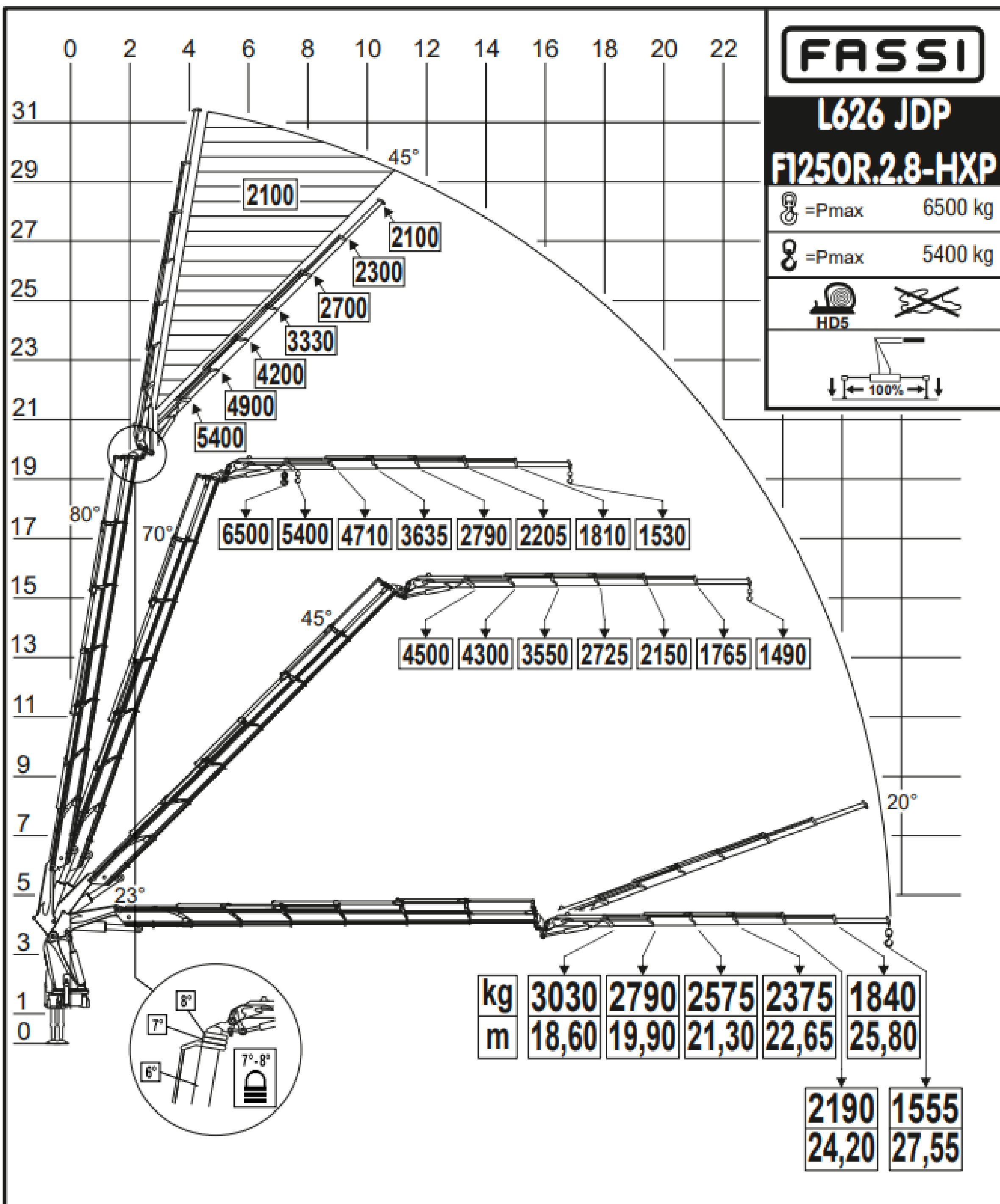
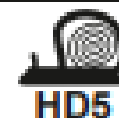
FASSI

L626 JDP

F1250R.2.8-HXP

 = Pmax 6500 kg

 = Pmax 5400 kg



DE19492B